

80% GAS FURNACE JOBSITE INFORMATION SHEET

OWNER:

Name: _____
Street: _____
City: _____ Zip: _____
State/Province: _____ Phone: _____

DATE: _____

PROBLEM DESCRIPTION:

SERVICING CONTRACTOR:

Name: _____
Street: _____
City: _____ Zip: _____
State/Province: _____ Phone: _____

DISTRIBUTOR:

Name: _____
Street: _____
City: _____ Zip: _____
State/Province: _____
Phone: _____

PRODUCT INFORMATION:

Furnace Model Number: _____
Evaporator Model Number: _____
Installation Date: _____

Serial #: _____

Serial #: _____

TEMPERATURES: (Figure 1)

- T1-Vent Temperature = _____
- T2-Return Air = _____
- T3-Supply Air = _____
- Temperature Rise (T3-T2) = _____

VENT: (Figure 2)

- Vent Material: Single Wall Double Wall HTPV
- Common Vent Used? Yes No
① Diameter = _____
② Total Length = _____
③ Term. Length = _____
④ Total Height = _____
- Power Venter Used? Yes No

PRESSURES (Furnace Running): (Figure 1)

- P1-Manifold = _____
- P2-Inlet Gas = _____
- P3-Vent Pressure Switch = _____
- Gas Pipe Diameter = _____
- LP or Natural Gas = _____
- Burner Orifice Size = _____

VENT CONNECTION: (Figure 2)

	FURNACE	WATER HEATER
- Material:	Single Wall <input type="checkbox"/> Double Wall <input type="checkbox"/> HTPV <input type="checkbox"/>	Single Wall <input type="checkbox"/> Double Wall <input type="checkbox"/> HTPV <input type="checkbox"/>
⑤ Diameter=	_____	_____
⑥ Height =	_____	_____

HIGH VOLTAGE CIRCUIT READINGS: (Figure 3)

① & ⑥ - Line Voltage _____
② & ⑥ - IBM _____
③ & ⑥ - IDM _____
④ & ⑥ - Transformer _____
① & ⑦ - L1 to Earth Ground _____
⑥ & ⑦ - Neutral to Earth Ground _____
⑤ & ⑥ - HSI Voltage during "warm-up" _____

OTHER NECESSARY DATA: (Figure 2)

- Is return air intake sealed and terminating outside furnace area? _____
- Fault Code Number of Flashes (Fig. 1) _____
- Electronic Thermostat? Yes No

LOW VOLTAGE CIRCUIT READINGS: (Figure 4)

⑧ & ⑨ - Transformer Control Voltage _____
⑩ to ⑫ - MRLC & LC ⑩ to ⑪: _____ ⑩ to ⑫: _____
⑬ & ⑭ - Vent Pressure Switch _____
⑮ & ⑯ - Gas Valve _____
⑰ - Flame Sensor Micro Amp _____

REQUESTED BY: _____

Figure 1

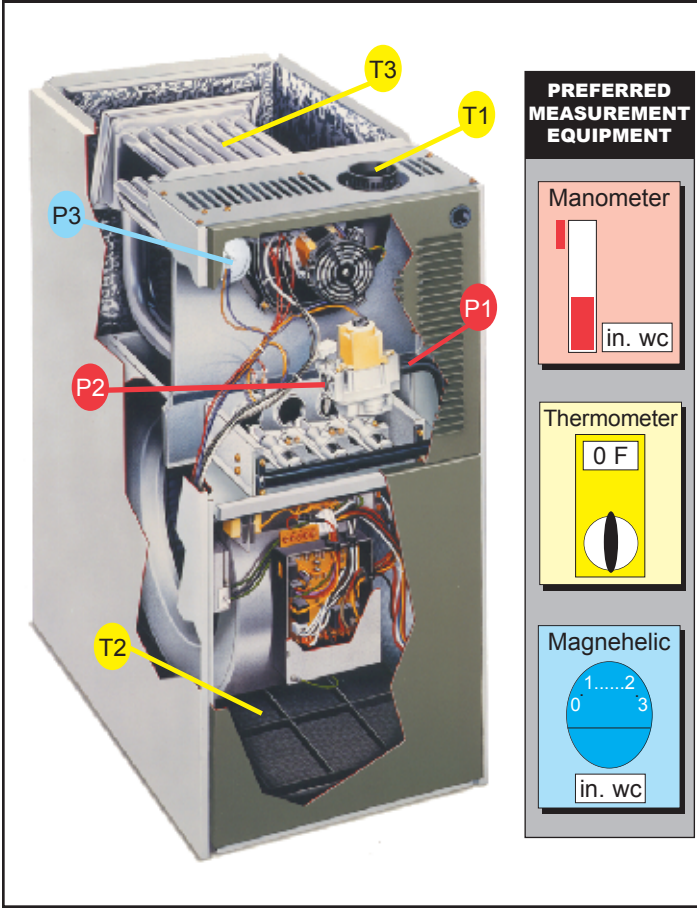


Figure 2

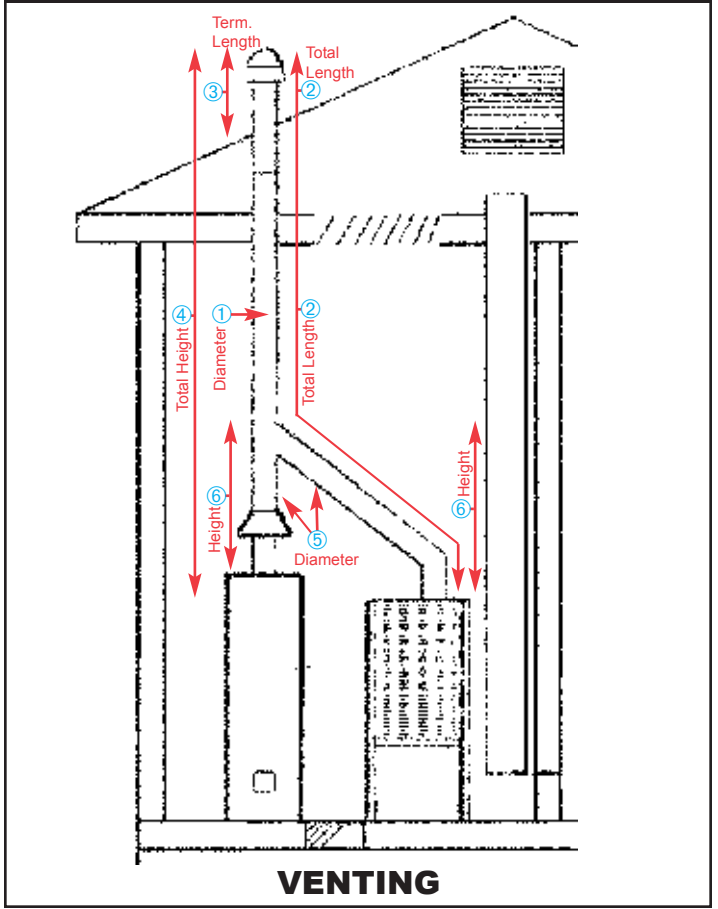


Figure 3

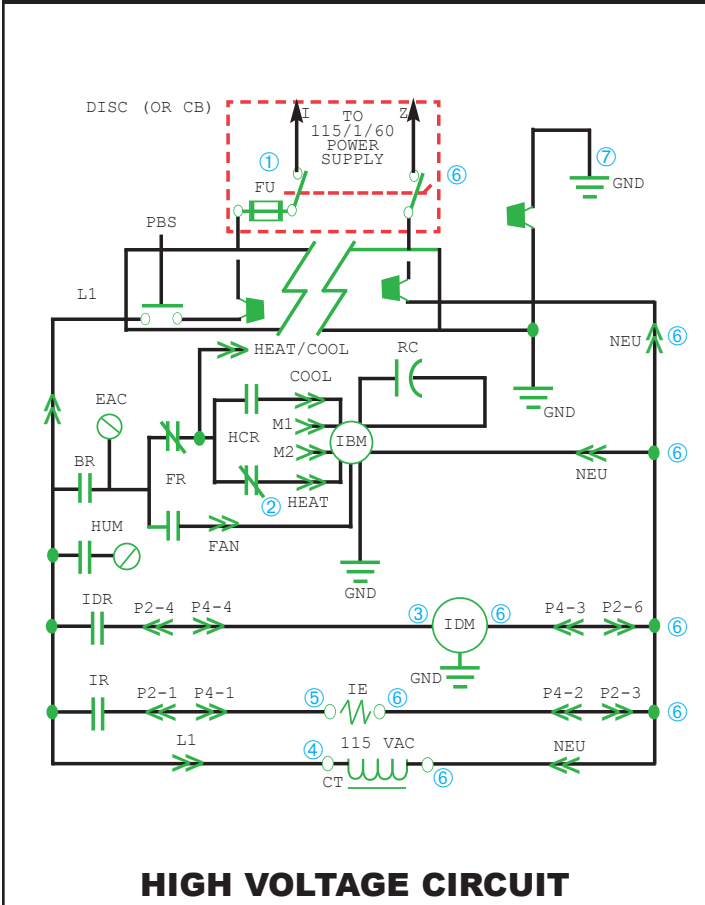


Figure 4

